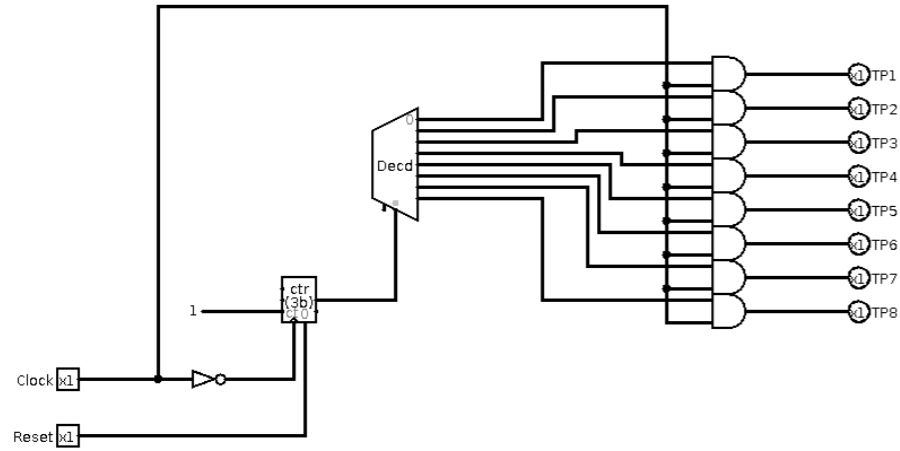
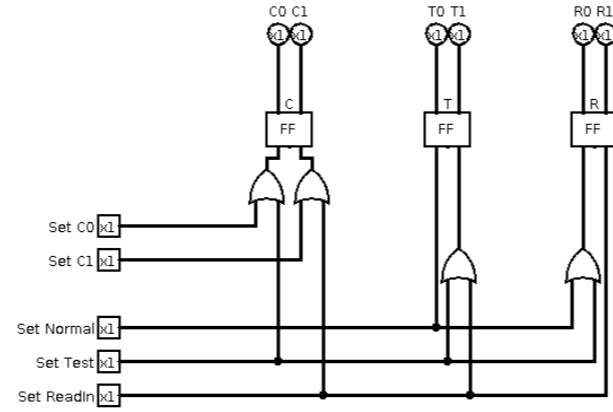


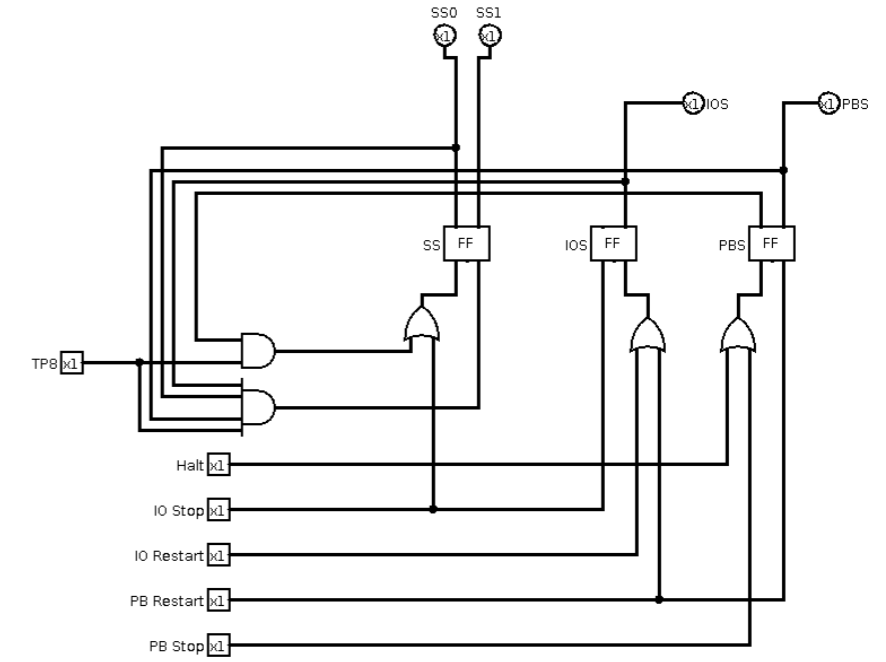
### Time pulse Generator



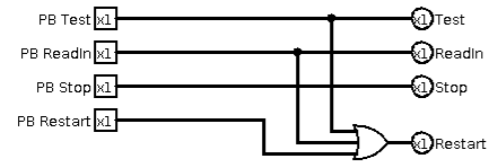
### Cycle & Mode



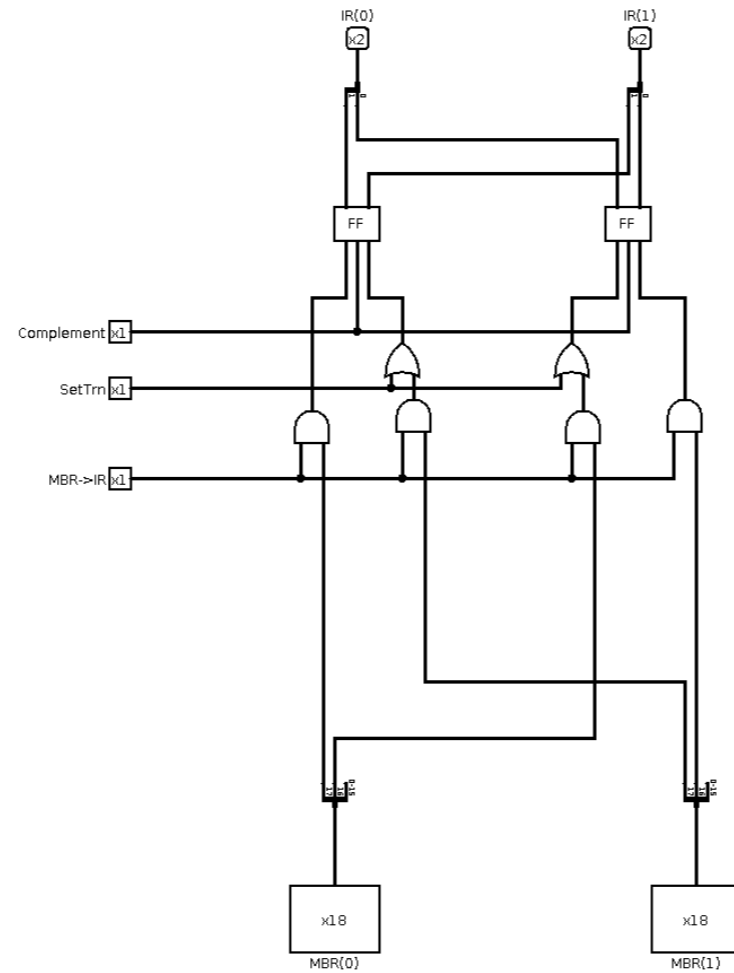
### Start & Stop



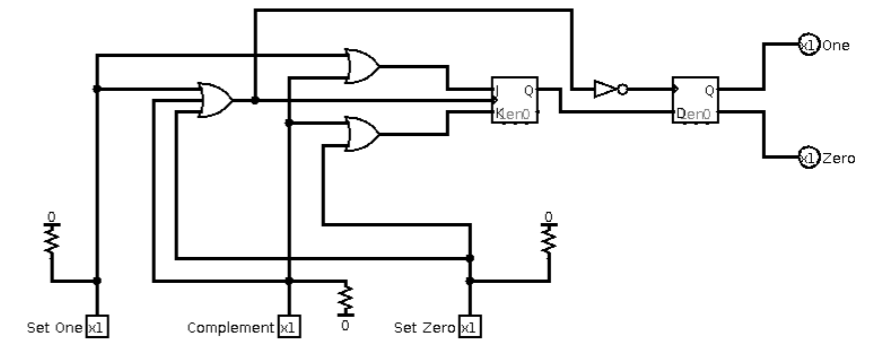
### Push Button Generator



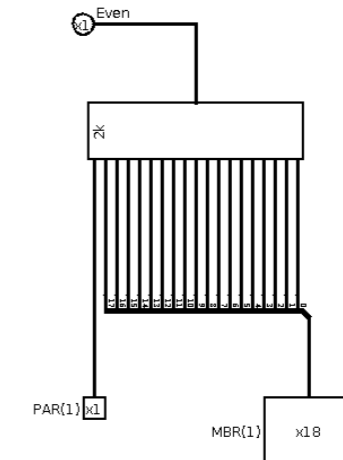
### IR

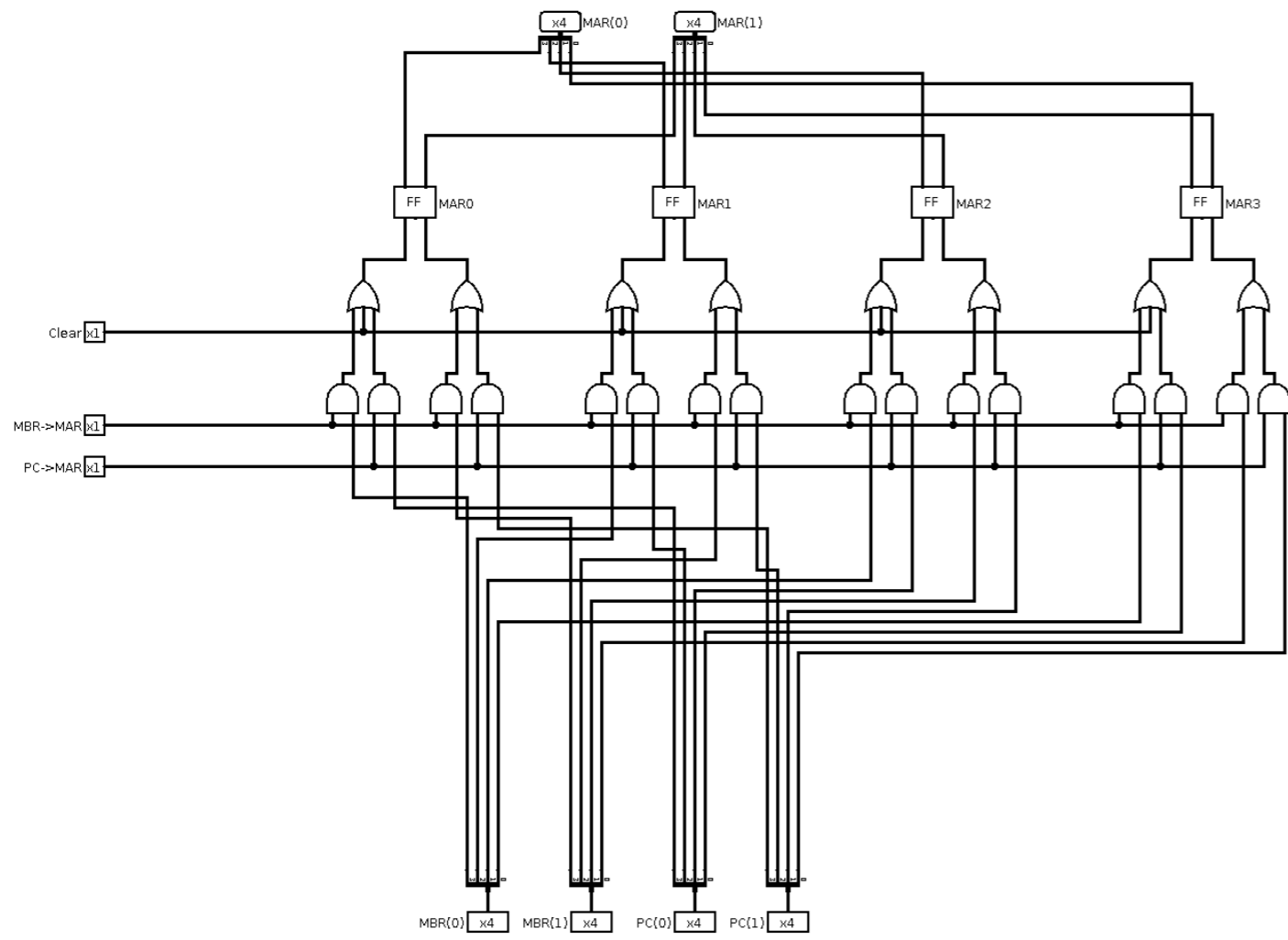


### Flip-Flop

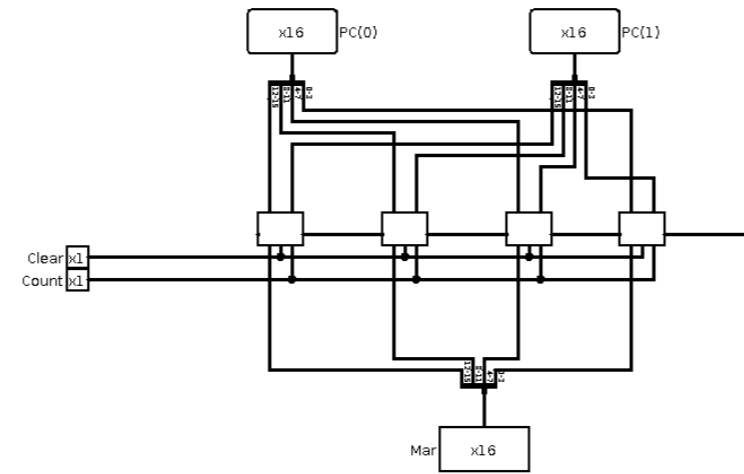
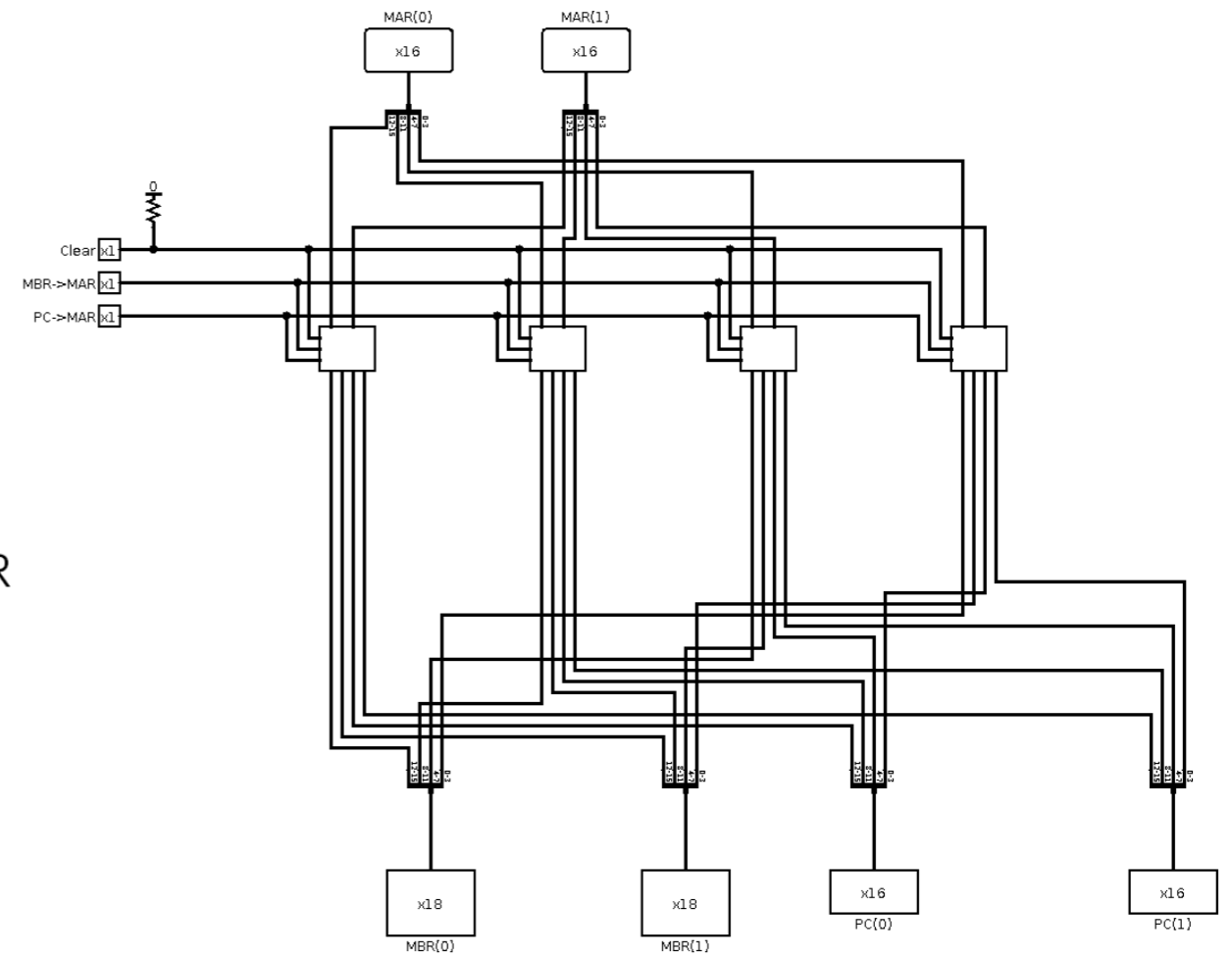


### Parity

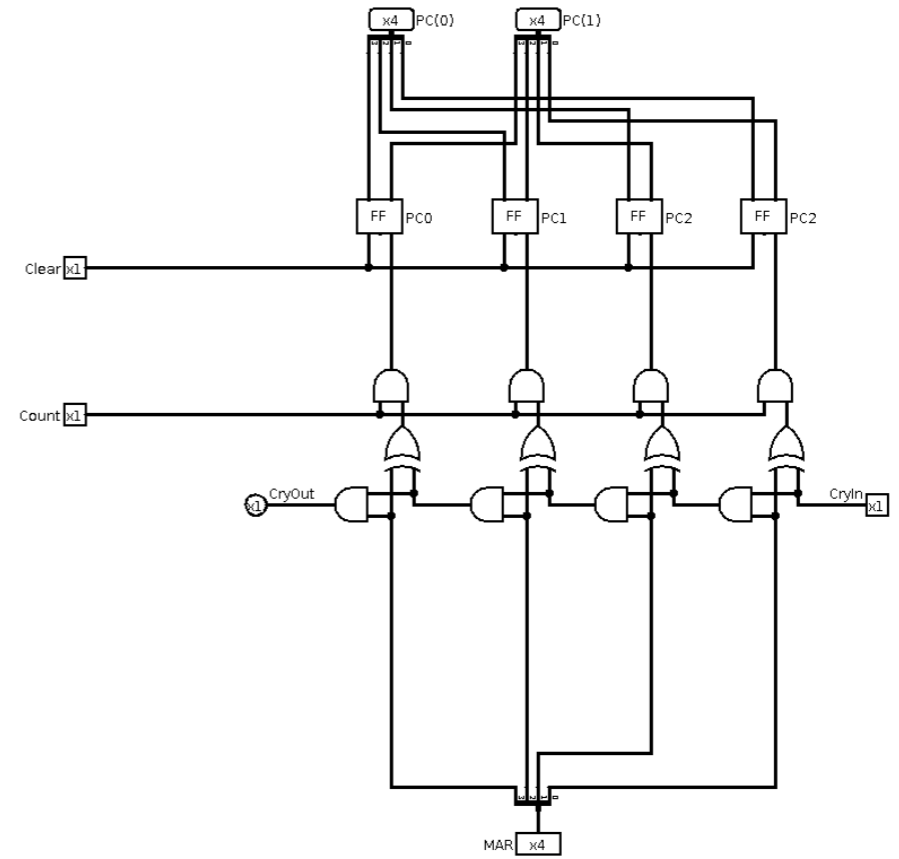


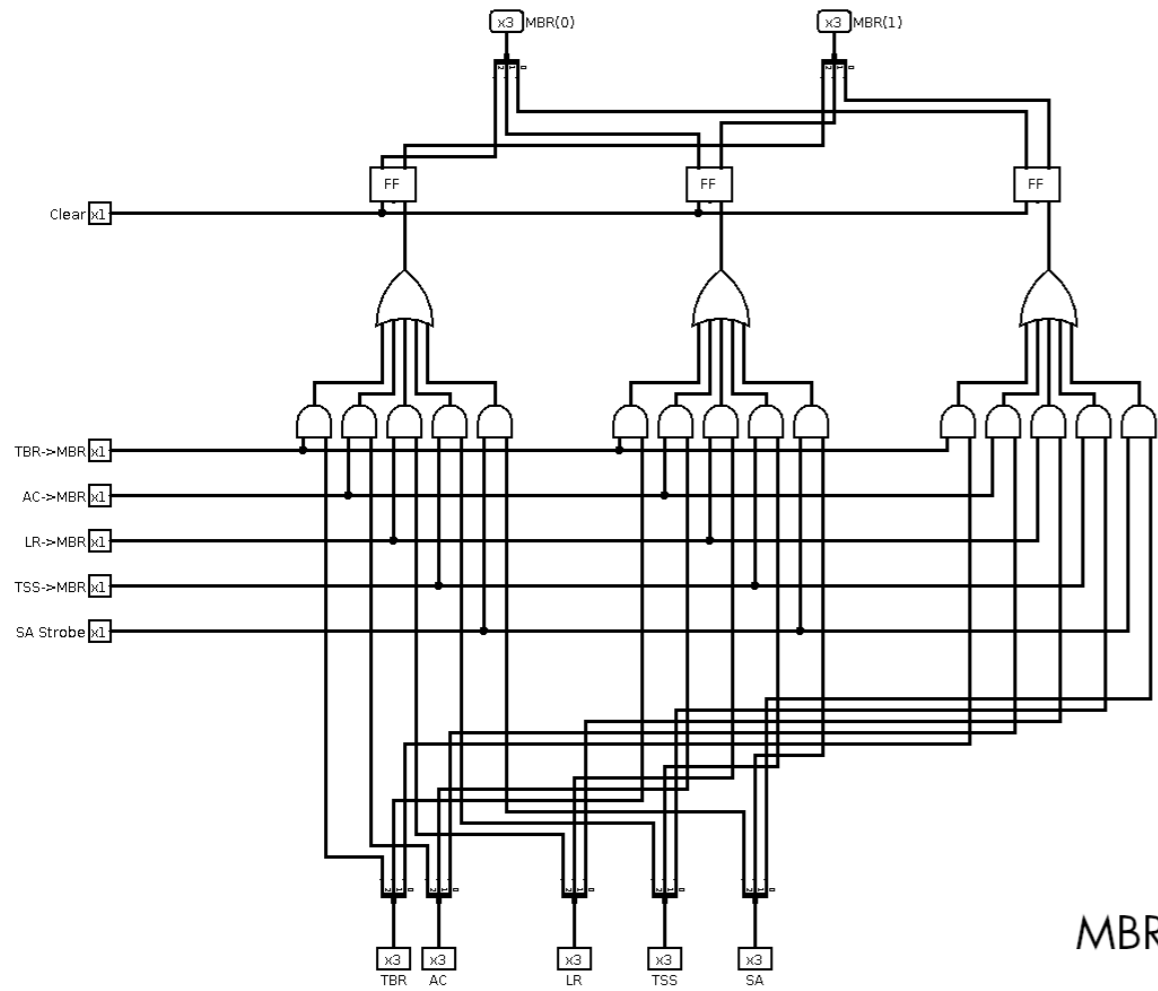


MAR

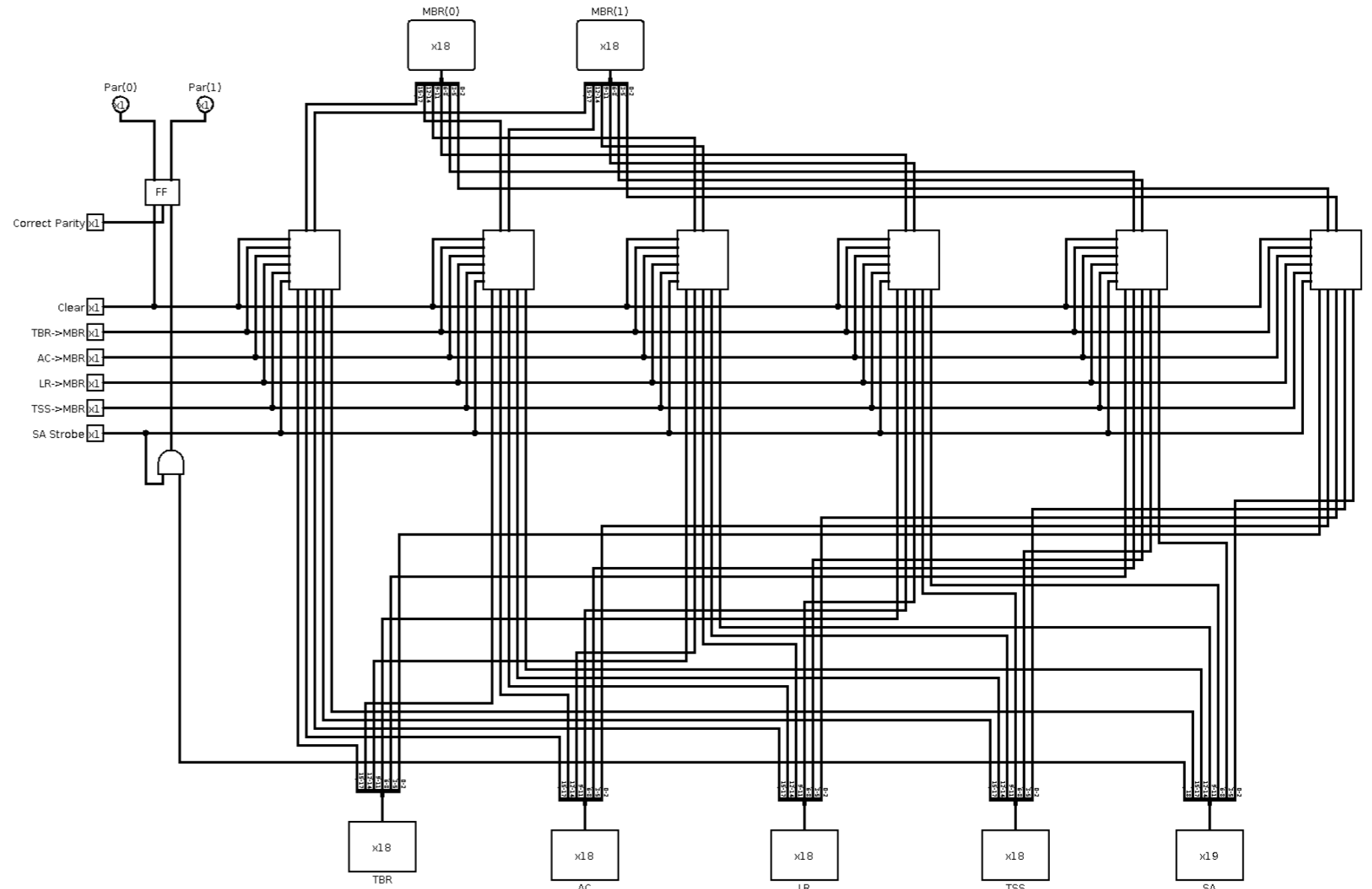
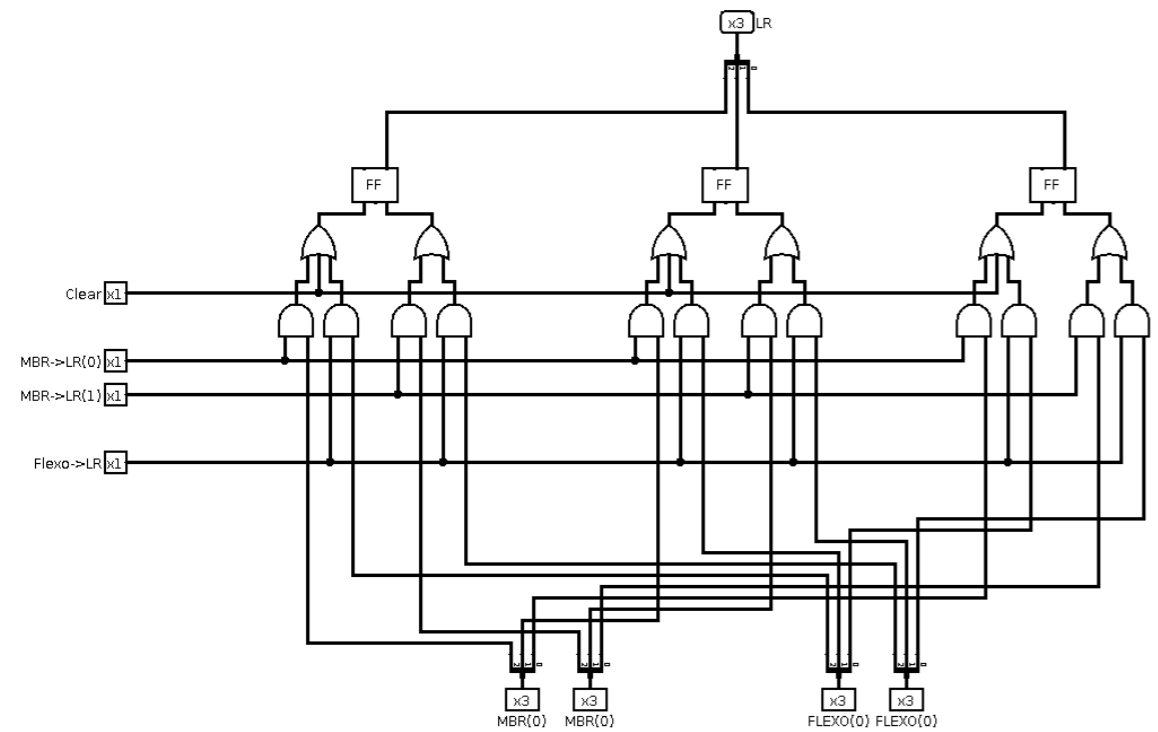


PC

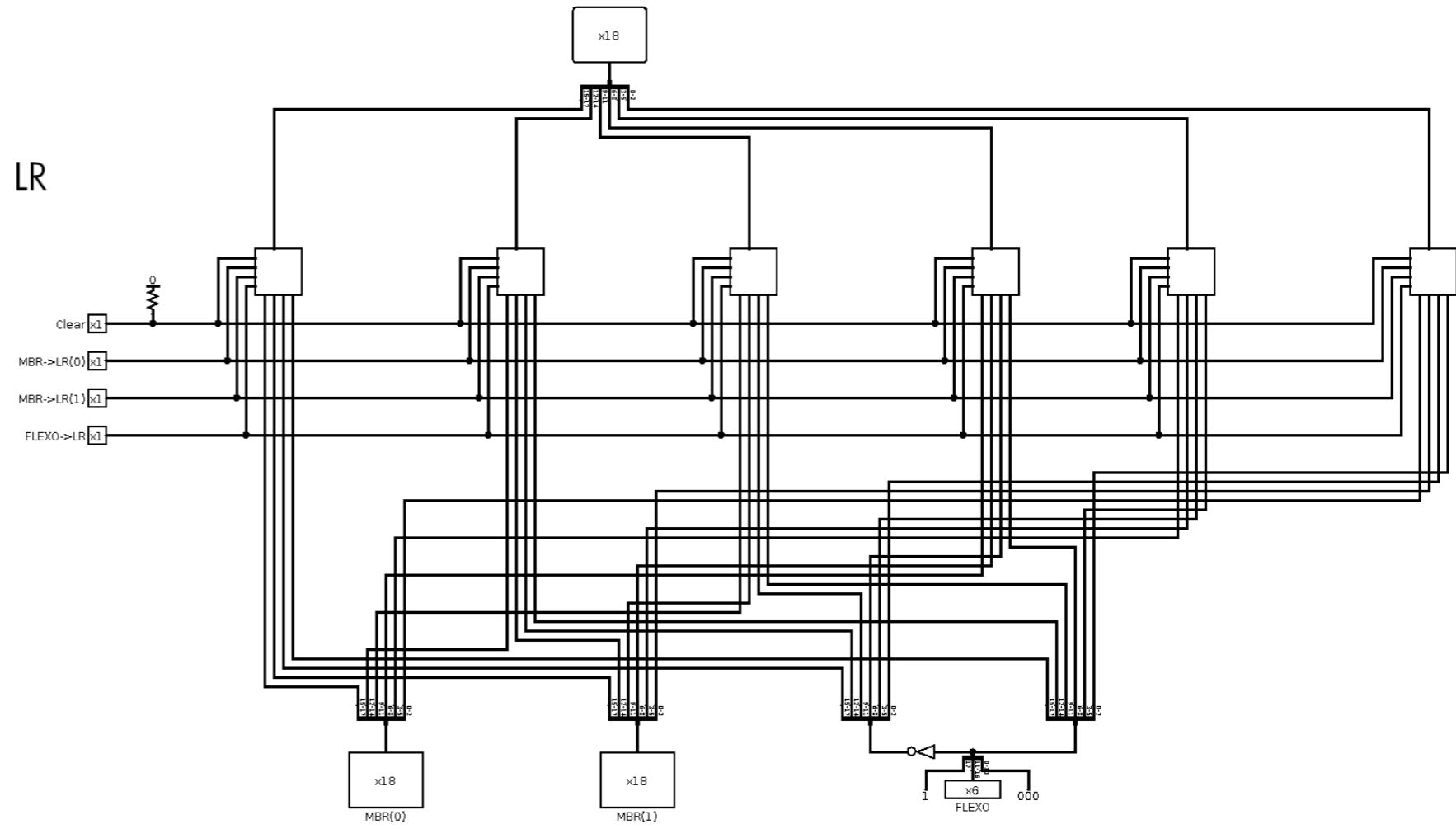


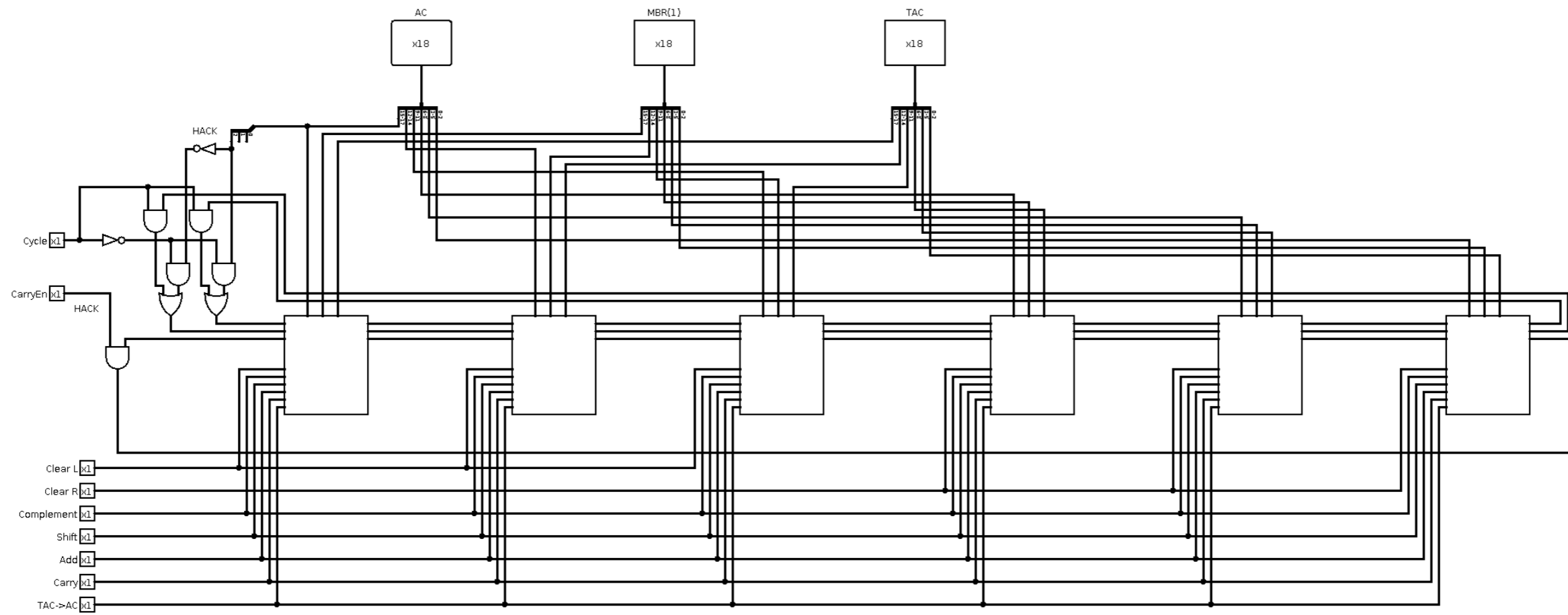


MBR

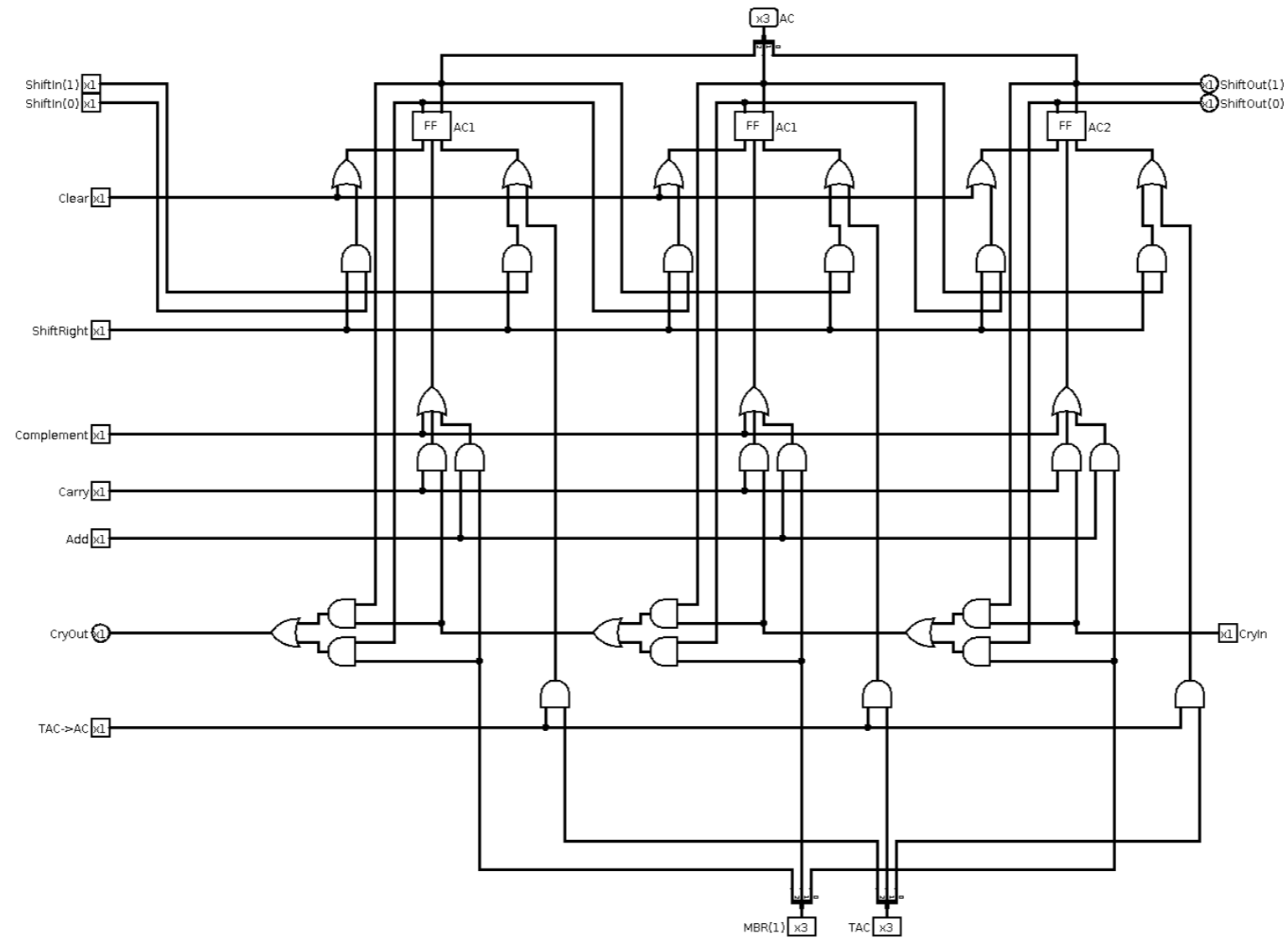


LR

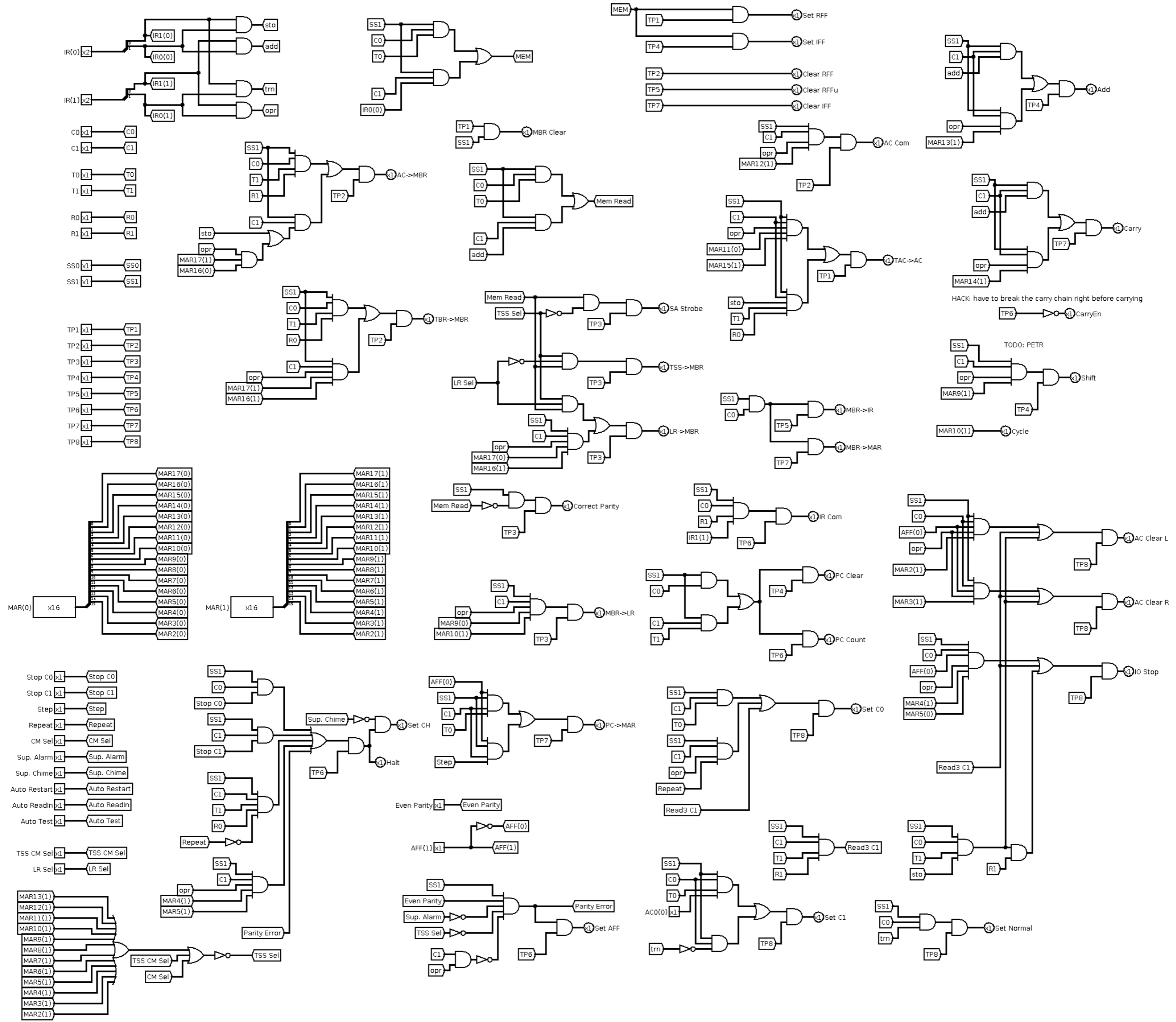




AC







# TX-0

